



1080p Corrosion Proof Motorized HD Bullet Camera

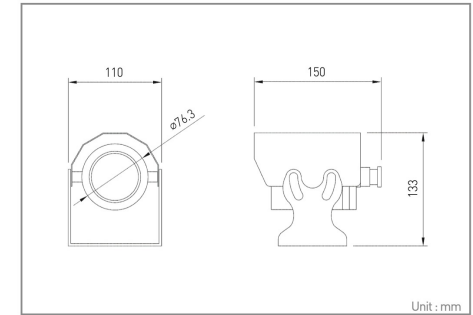
- AHD/CVBS Selectable
- High Speed, Long Distance Real Time Transmission
- N TSC/PAL Selectable



Key Features

- SUS 316L Electropolished Stainless Steel
- 1/2.9" 2.4M Sony Exmor CMOS Sensor
- 1920x1080p Full HD Resolution(AHD)
- 2.8~12mm Motorized Varifocal Lens
- Digital WDR
- Day & Night(IR Cut Filter)
- 3 DNR(Digital Noise Reduction)
- Smart IR(24 IR LEDs)
- IP68

Dimension



Technical Specifications

| POWER | | FUNCTION | |
|-------------------|---|-----------------------|-------------------------------------|
| Power Source | DC12V±10% | Auto Exposure | On |
| Power Consumption | Max. 6.6Watts(550mA) | Electronic Shutter | Auto |
| GENERAL | | White Balance | ATW(Auto) |
| Image Sensor | 1/2.9" 2M Sony Exmor CMOS | Day & Night | Auto |
| Total Pixels | 2,000(H)x1,121(V) | DNR | 2D/3D On |
| Active Pixels | 1,920(H)x1,080(V) | AGC | On |
| Scanning System | Progressive | Gamma | Auto |
| Sync. System | Internal | CONNECTOR & ETC | |
| Video Frame Rate | 1920x1080p@25fps , 1920x1080p@30fps | Power Input | DC Jack |
| CVBS Resolution | 1000TVL | Video Output | BNC Connector - AHD, CVBS |
| Min. Illumination | 1.0Lux(Color), 0Lux(BW, IR LED On) | Transmission Distance | Over 500m Via 75-3 Coaxial Cable |
| Video Output | BNC (AHD-High Definition Video Output/CVBS-Standard Definition Video Output) | Lens Mount | Fixed Mount |
| IR | IR LED | Lens | f=2.8-12mm Motorized Lens, ICR(D&N) |
| | Distance | 25M | Operating Temperature |
| S/N ratio | More Than 50dB(AGC Off) | Operating Humidity | 0-96%(Non-Condensing) |
| Camera Control | OSD(Joystick switch, Coaxial Communication) | External Dimension | 110(W)x133(H)x150(D)mm |
| | | Weight | Approx 1.64Kg |
| | | Ingress Protection | IP68 |

Specifications are subject to change without notice.