

2MP 36X FIXED CAMERA

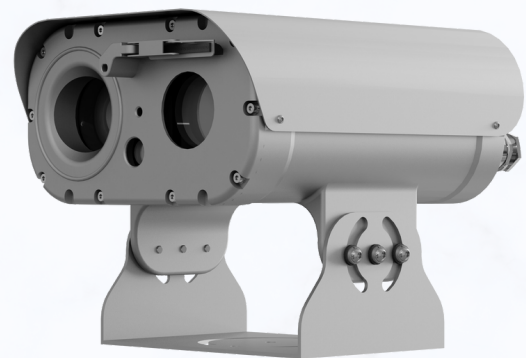
Stainless Steel 316L **Ex-Proof** 2MP 36X Zoom Camera



GC-XDFN SERIES

Key Features

- AISI 316L Electro Polished Stainless Steel
- 2MP H.265 Network 36X Zoom
- Optical 36X Zoom, 6 ~ 216mm
- 56.5° ~ 2.1°(H)
- Shock and Vibration Tested
- Tempered Glass
- Built-in Wiper
- Night Vision Up To 80M / 300M (optional)
- Thermal Option (35mm / VGA / 12µm)
- 24VDC
- IP68
- -40°C~60°C



GC-XDFN-236I

PRODUCT SPECIFICATIONS

GC-XPFN Series

Camera

- **Image sensor**
1/2" Sony Exmor CMOS
- **Scanning mode**
Progressive scan
- **Lens**
Optical zoom 36x, 6.0-216mm
± 5%, F1.5
- **Digital zoom**
8x
- **Angle of view**
H: 56.5°-2.1° / V: 33.6°-1.2°
- **Shutter speed**
Automatic / Manual
1/30,000sec - 1/30sec
- **Day/night**
ICR(auto/day/night)
- **Min. illumination**
Color: 0.05Lux,
B/W: 0Lux(IR LED)
- **Camera setting**
DOL HDR, DNR, BLC, HLC,
White balance, Exposure
control, Mirror, Flip, Privacy
masking, Corridor format, LDC,
OSD
- **Analytics**
Tamper, Video motion detection
- **IR distance**
Motorized IR LED 300m

Video

- **Compression**
H.265(Main profile), H.264(High,
Main, Base line profile), MJPEG
- **Resolution**
1920x1080, 1280x720, 1024x576,
768x432, 704x392, 640x360,
384x216
- **Frame rate**
Max. 60(50)fps@1920x1080
- **Streaming**
Simultaneously H.265, H.264 and
MJPEG (Triple streaming)
Independent Frame Rate and
Bandwidth Control, VBR/CBR

Network

- **Security**
Multi User Authority, IP Filtering,
HTTPS
- **Protocol**
TCP/IP, UDP, IPv4/v6, HTTP,
HTTPS, FTP, UPnP, RTP, RTSP,
RTCP, DHCP, ARP, Zeroconf
- **API**
Open API, ONVIF profile S, T

MAIN CERTS

ATEX

ATEX (EN 60079-0: 2017 , EN 60079-1:
2014 , EN 60079-31: 2013):
II 2 G Ex d IIC T6 Gb Ta -40°C to +60°C
II 2 D Ex tb IIIC T85°C Db Ta -40°C to
+60°C

IECEX

IECEX (IEC 60079-0: 2017 , IEC 60079-
1: 2014 , IEC 60079-31: 2013):
I Ex d IIC T6 Gb Ta -40°C to +60°C
I Ex tb IIIC T85°C Db Ta -40°C to +60°C

Certified by DeKRA



General

• **Connectors**

Two M25 conduit entries
Ethernet RJ-45(10/100/1000Base-T)
Power 2pin terminal block
1 alarm input, 1 relay, 1 RS485

• **Power supply**

24VDC
[Option] 110VAC/220VAC

• **Power consumption**

60W(Max. 80W with water tank and
IR LED operation)

• **Operating humidity**

0-90% RH(Non-condensing)

• **Operating temperature**

-40°C - +60°C

• **Ingress protection**

IP68

• **Dimension**

244(W)x237.5(H)x270(D)mm

• **Weight**

Approx. 10Kg

• **Certification**

ATEX, IECEx, KCs

[Option] Thermal

• **Detector type**

Uncooled VOx Microbolometer

• **Array size**

640x480

• **Pixel pitch**

12μm

• **Spectral range**

8-14μm

• **Sensitivity(NETD)**

<50mK@f1.0

• **Frame rate**

30(25)Hz

• **Lens**

35mm, f1.0

• **Digital zoom**

8x

• **Angle of view**

H: 12.5° / V: 9.4°

• **Color palette**

Red Hot / Iron / Rainbow / Amber /
Black Hot / White Hot(Total : 11
Color Support)

Model Reference

GC-XDFN-236I-XXX : 36X Optical with Motorized IR LED
GC-XDFN-236T-XXX : 36X Optical with Thermal Lens