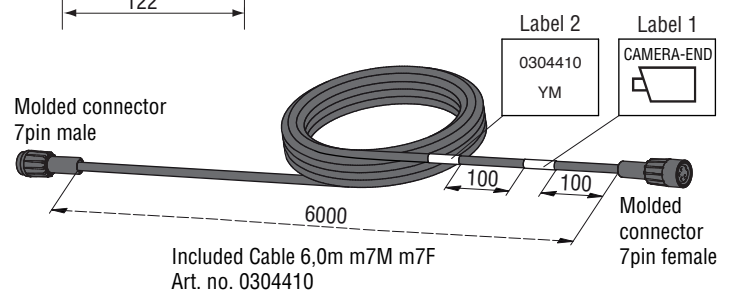
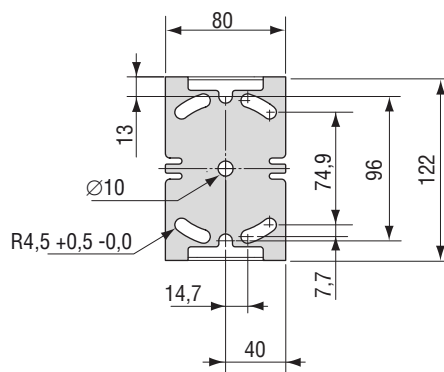
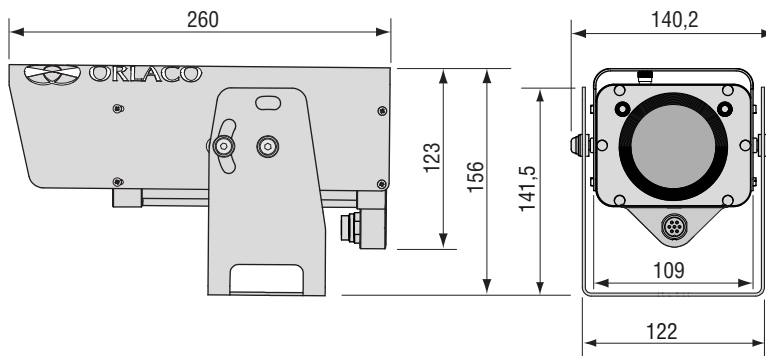


# Product Data



## Dimensions



Units in mm

## TECHNICAL DATA

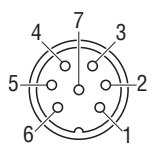
### Camera AFZ Sst

### Camera AFZ Sst RS485

<b>Article number</b>	<b>Description</b>
<b>Article number</b>	<b>0103482 Camera AFZ Sst RS232</b> <b>0113482 Camera AFZ Sst RS485</b>
<b>Image sensor</b>	<b>Sensor</b> 1/3" CMOS sensor.
<b>Hor. Resolution</b>	>700 TV lines (PAL/NTSC).
<b>Lens</b>	30x optical, 32x digital zoom. f = 5.1 mm to 51 mm, F1.6 (WIDE) to F1.8 (TELE). High zoom ratio up to 53x when used in PAL/NTSC mode (1.9x digital zoom will not influence image quality. Sensor itself is $\pm$ 4x the number of pixels needed to create PAL/NTSC output).
<b>Angle of view (H)</b>	58.9° (wide) 2,11° (tele).
<b>Minimum illumination</b>	0.5 lux (1/30sec).
<b>0-Lux mode</b>	0.025 lux (1/7.5sec).
<b>Power input</b>	<b>Electrical</b> Cable between camera and power supply < 50 m 12-24V/DC, > 50 m 18-24V/DC.
<b>Power consumption</b>	Temperature <0°C (heating on): 7,2 W & >0°C (heating off): 3,6 W.
<b>Communication</b>	Communication via serial interface through pin nr. 5 and 6 of the 7 poles connector, Visca-, Pelco-D protocol (RS232 or RS485) 9,6 Kbps, 8 bit, 1 stop bit, no parity.
<b>Cable</b>	Included: Cable 6,0m m7M m7F; Art. no. 0304410.
<b>Presets</b>	128 presets Visca and 255 presets Pelco-D.
<b>Construction</b>	<b>Mechanical</b> Housing, mounting parts and sun cover; stainless steel 316, suitable for mobile applications with shocks and vibrations. Corrosion proof housing according to IEC 60068-2-52 salt mist, cyclic.
<b>Ingress protection</b>	IP68 according to IEC 60529, Dust tight and protected against the effects of immersion in water up to 10m under water for 30 minutes and IP69K according to DIN 40050-9, camera can withstand a high pressure cleaning with water: 14-16L/min 80°C and 100 Bars flow.
<b>Bracket</b>	Stainless steel 316, including bolts, nuts and washers. Suitable for mounting overhead and standing.
<b>Operating temperature</b>	-40°C to +85°C.
<b>Glass</b>	Chemically hardened lens glass, 7x stronger than ordinary glass, scratchproof surface, following "VII Flachgläser"(German std.).
<b>Weight</b>	5,1 kg.
<b>Green Passport</b>	<b>Certification</b> All materials are compliant to Green Passport requirements according IMO resolution MEPC.197(62) as adopted on 15 July 2011 (Maritime sector: International Maritime Organization concerning the functions of the Marine Environment Protection Committee).
<b>Serial commands</b>	See Orlaco Visca protocol manual; <b>IM0973300</b> .
<b>Installation</b>	See Installation Manual; <b>IM0973112</b> .

#### Electrical connections

##### Solder side of 7p male socket



Solder side  
7P Male socket

	<b>RS232</b>	<b>RS485</b>
1 = Coax core	(Video signal)	(Video signal)
2 = Coax shielding	(Video GND)	(Video GND)
3 = Red	(12...24V/DC)	(12...24V/DC)
4 = Black	(0V)	(0V)
5 = Orange	(Serial TX)	B (inv.)
6 = Yellow	(Serial RX)	A (non-inv.)
7 = Grey	(Not connected)	(Not connected)
Shielding	GND	GND

All data subject to change without notice. All dimensions are for commercial purpose only.  
The camera/display systems from Orlaco comply with the latest CE, ADR, EMC and mirror-directive regulations, where applicable.  
All products are manufactured in accordance with the ISO 9001 quality management system, IATF 16949 quality automotive, ISO 14001 environmental management systems and all Ex products with the IECEx scheme and ATEX directives, where applicable.

